



⌘ ROTEN® © eurcarb® ⌘ AVES® MOLINOX® COEMI®

1945





MADE IN ITALY



ROTEN
EUROCARBO
AVES
MOLINOX
COEMI

OVER **75**

YEARS
OF HIGH QUALITY
ITALIAN PRODUCTION

SINCE

1945

The production of Roten mechanical seals started in 1945, with tombac metals bellow seals for refrigeration compressors.

1957

Roten patented its first mechanical seal, the Roten 2, with a self-driving spring, still produced today and sold worldwide in millions.

1970

Roten patented the Roten 3, a seal with a spring with three different diameters, sold worldwide in millions.



OUR OTHER COMPANIES WERE ESTABLISHED IN:

1973

Eurocarbo s.p.a. | Mechanical carbons.

1982

Aves s.r.l. | Mechanical seals.

1986

Coemi s.r.l. | Refurbishing of mechanical seals.

1990

Molinox s.r.l. | Industrial springs.

5

TODAY

We are a group of five companies.

Our production is carried out with CNC machines, hand and robotic assembly systems.

Each company works completely autonomously and they are the owners of their own assets and buildings. A continuous technical cooperation between our factories ensures the highest quality for materials and best delivery times.

We stand out as a company in accordance with the current certified standards.

All of our brands are internationally trademarked.

ROTEN® **EUROCARBO®** **AVES®** **MOLINOX®** **COEMI®**

Group Targets:

To supply the best quality products, to give fast deliveries and service and to give the maximum satisfaction to the customers.

To build up a global spread presence in the world market.

We provide constant training in order to ensure thorough product knowledge by all personnel, and to offer the highest technical support possible.

Suppliers:

The choice of strategic suppliers is made only after careful consideration.

We seek long term contract agreements and cooperate with suppliers to give the best delivery times possible.

Production:

Flexible production techniques to respond to increased demand.

A large percentage of profit is reinvested into the company to maintain our technology at the highest level.

Testing of all new high quality materials before they are accepted as production materials.

Service offered to Customers:

On-site technical service by request. Quick technical support via telephone and email. Website with technical information on seals.

High flexibility in production. Tailored design and dimensions. Long term supply agreements to obtain the best price conditions. A consignment stock for high volume seal usage.



ROTEN

EUROCARBO

AVES

MOLINOX

COEMI



Roten s.r.l. | Mechanical seals

WITHOUT HISTORY THERE IS NO FUTURE.



MR & MRS FONTANELLA
OUR FOUNDERS

LABORATORIO
ELETTROMECCANICA
DI PRECISIONE
CARLO FONTANELLA
(MILAN, 1945)



ROTEN

Milan 1945

Roten has a long tradition in the manufacturing of mechanical seals that began in 1945 in Milan (Italy) with the name “Laboratorio Elettromeccanica di Precisione Carlo Fontanella” then changed to “ROTEN s.r.l.”

The name ROTEN is a combination of two Italian words: RO- from the Italian ROtazione which means rotation- and TEN- from the Italian word TENere which means to seal.

In other words, it rotates and, at the same time, it seals!

Mr. and Mrs. Fontanella, started with the help of only two people and today the family companies have a total work-force of more than 200 people.



Camera di Commercio, Industria e Agricoltura di Milano

REGISTRO DELLE DITTE

N. 21539 G.B.

Milano, li 3 marzo 1952

-SI CERTIFICA

1) Dagli atti per l'iscrizione delle Ditte e Società, depositati presso questo ufficio, risulta quanto segue relativamente alla Ditta **LABORATORIO ELETTROMECCANICO DI PRECISIONE DI CARLO FONTANELLA. s.r.l.**

iscritta al n. 339148 giusta denuncia del 8 gennaio 1946 specie ditta individuale costituzione (o data di inizio) 10 dicembre 1945 esercizio (vedi par.3)

sede MILANO via P/za Leonardo da Vinci 8

Bollo L.	24,-
Diritti di Segreteria ..	70,-
Bollo quietanza ..	1,-
TOTALE	L. 95,-

2) Dagli atti medesimi risulta, inoltre, che il sig. **CARLO FONTANELLA** di Boardo, è unico proprietario con firma libera.....

3) che ha per oggetto; costruzione e riparazione apparecchi elettrici di misura e controllo-Relais, trasformatori normali e di misura, pargi staccate, apparecchiature elettromeccaniche ed elettrodome- stiche in genere ed impianti relativi, corpi moleg- leggianti e sue applicazioni, apparecchi termici e



1952

In 1957

We created and patented **TYPE-2**, the first mechanical seal for pumps with a self-driving spring directly on the shaft.

From the fifties to today our product range shown on catalogue has more than 30 different models with many special versions:

mechanical seals with driving system, rubber bellow mechanical seals, mechanical cartridge seals for food, pharmaceutical, and Atex application.

We are equipped with an internal laboratory for constant research.



N. 573771



MINISTERO DELL'INDUSTRIA E DEL COMMERCIO
UFFICIO CENTRALE DEI BREVETTI PER INVENZIONI, MODELLI E MARCHI



BREVETTO
PER
INVENZIONE
INDUSTRIALE



1957

9472 · 1957

573771

Fig. 1

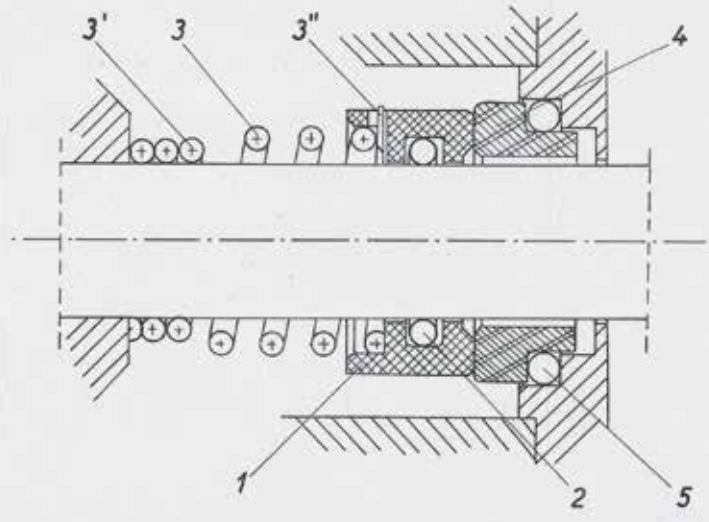
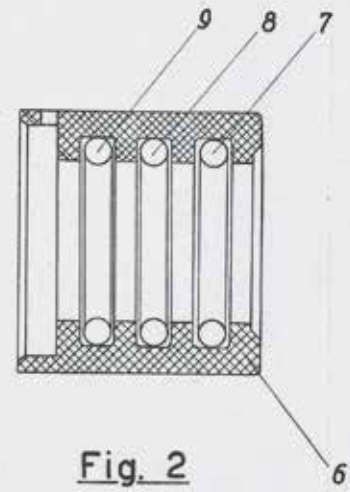


Fig. 2

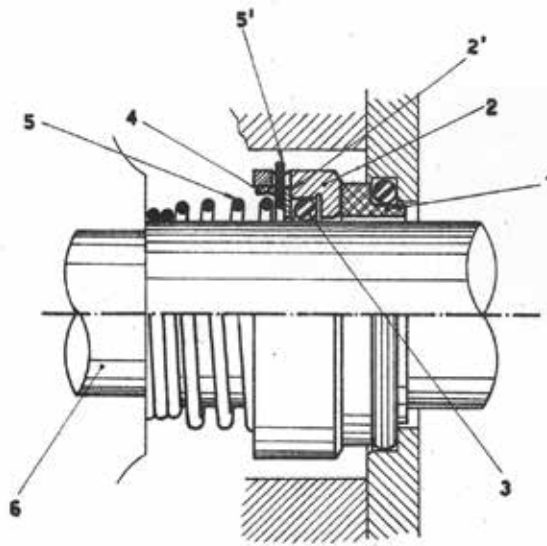


Forzaville Carlo



1957

8128/64

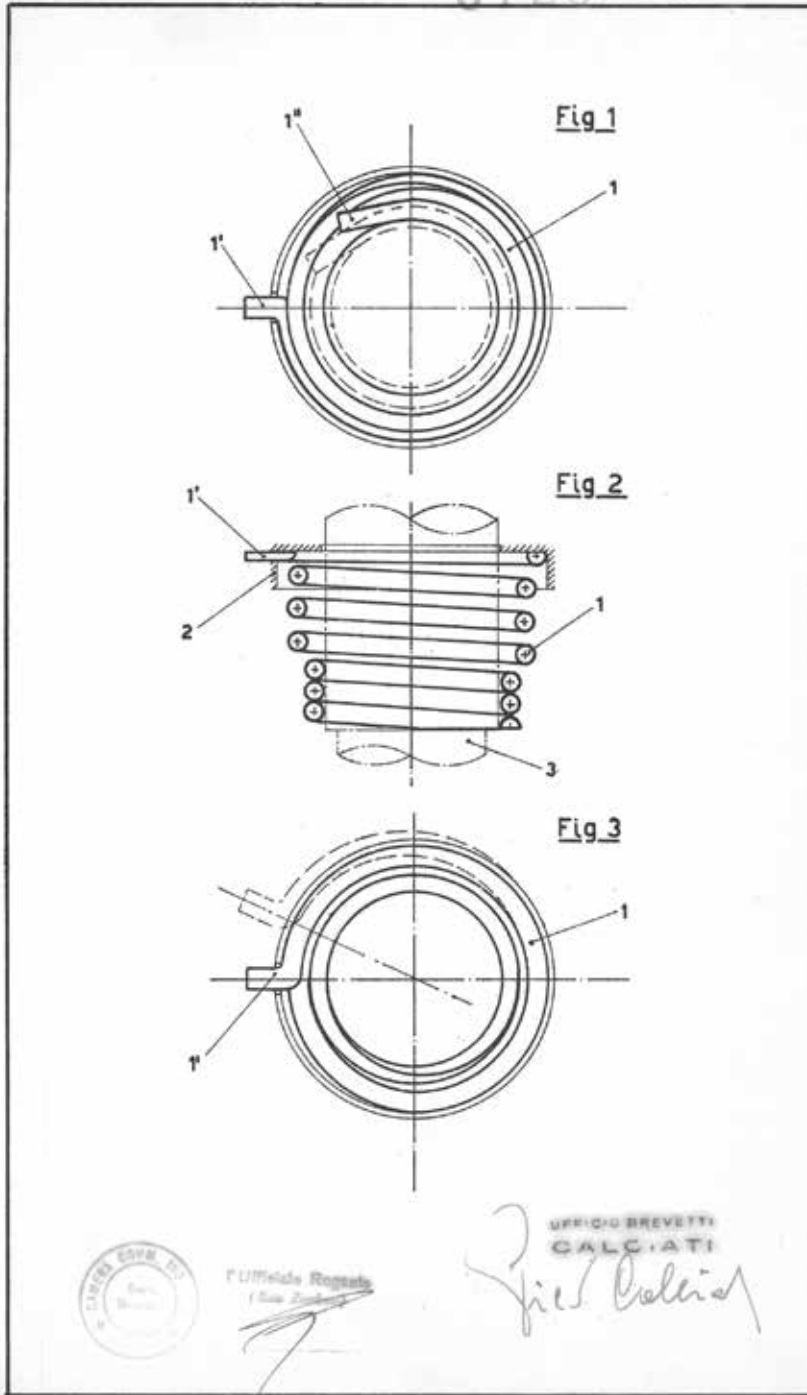


l'Ufficio Rogentis
(Rais Zamboni)

UFFICIO BREVETTI
CALCIATI
Rob. Calciati

1964

8129/64



1964



ROTEN
EUROCARBO
AVES
MOLINOX
COEMI



Eurocarbo s.p.a. | Mechanical carbons





EUROCARBO

Corropoli (Teramo, Italy) 1973

Eurocarbo is the only Italian company that produces carbon, graphite, Silicon Carbide and metal graphite for electromechanical application, starting from several different raw materials.

Eurocarbo produces their own grade and now is a main supplier for the mechanical industry and OEM manufacturing.

Eurocarbo uses mechanical carbon for seal rings, sleeves, pump bearings, electrical carbon and brushes.

Eurocarbo has high quality, pure sintered Silicon Carbide which can solve the wringing problem of similar materials.

ALLCARBON® DIACARB® ECO GREEN CARB®





“ALLCARBON® BEARINGS WITH NEW GREEN EVOLUTION”

The manufacturing process starts from raw materials to obtain a self lubricating mechanical component.

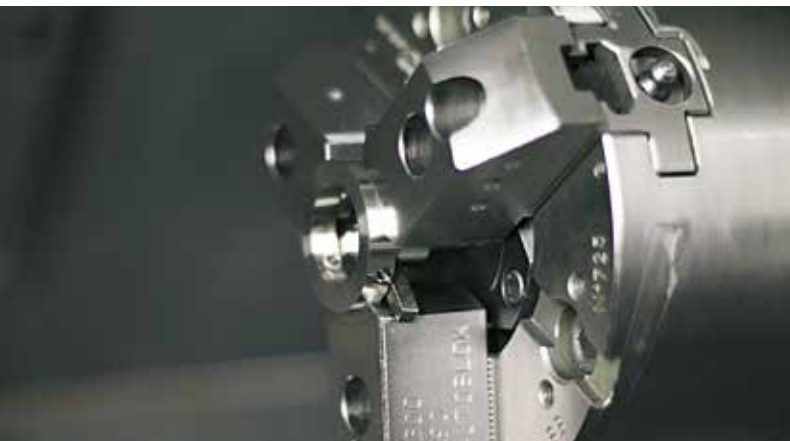
ALLCARBON®, DIACARB® and ECO GREEN CARB® new grade products without resin or metal impregnation.



ROTEN
EUROCARBO
AVES
MOLINOX
COEMI



Aves s.r.l. | Mechanical seals



THE FIRST MECHANICAL SEAL

(1970) For water pumps with seal rings in ALUMINA-CARBON.

Very popular and widely appreciated
for its cost/performance ratio.



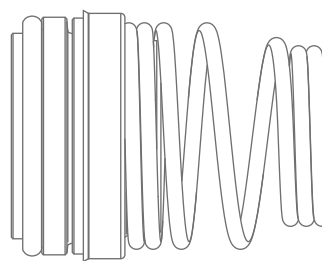
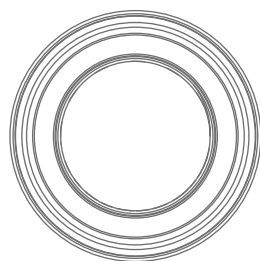


AVES

Milan 1982

Aves produces the **TYPE-3** seal, patented in 1970 by Roten, with a robotized system.

The **TYPE-3** is used worldwide. Aves produces large quantities high precision stainless steel mechanical parts.



TYPE-3

Registro 'A

Protocollo N. 23321 A/ 70



CAMERA DI COMMERCIO INDUSTRIA ARTIGIANATO E AGRICOLTURA DI MILANO
SERVIZIO DEI BREVETTI PER INVENZIONI, MODELLI E MARCHI

COPIA DEL VERBALE DI DEPOSITO PER BREVETTO D'INVENZIONE INDUSTRIALE
(Art. 21 del R.D. 5-2-1940 n.244)

L'anno 1970 il giorno, **QUINDICI** del mese di **APRILE**
alle ore **novè** e minuti **undici**

in Ditta **FONTANELLA Carlo**
il Signor

di nazionalità **italiana** ~~comune~~ residente in **Milano**

Via **Sighele 1** a mezzo mandatario **Ufficio Brevetti CALCIATI**

ed elettivamente domiciliato agli effetti di legge a **Milano - piazza S. Sepolcro 2**
presso il mandatario

ha presentato a me sottoscritto :

- Domanda, in bollo da L. 400, di **BREVETTO PER INVENZIONE INDUSTRIALE** avente per

TITOLO:

ORGANO DI TENUTA MECCANICA PER ALBERI ROTANTI, COMPRENDE UN'ARMATURA A DOPPIO GRADINO IN LAMIERA STAMPATA PER L'ALLOGGIO DELLE GUARNIZIONI DI TENUTA TRA L'ALBERO E L'ANELLO ROTANTE E L'ANCORAGGIO DELLA MOLLA DI TRASCINAMENTO E DI PRESSIONE.

~~invenzione di~~
~~comprensiva di~~

~~PRIORITÀ DELLA DOMANDA PER BREVETTO DI:~~

comedata di:

- Descrizione in triplo di n. **7** pagine di scrittura.
- Disegni, tavole n. **1** in triplo.
- Lettera d'incarico - ~~Declarazione di deposito ad atto di prova.~~
- Documento di priorità ~~in introduzione italiana.~~
- ~~Autorizzazione o atto di concessione.~~
- ~~Declarazione di consenso dell'inventore per essere menzionato nel brevetto.~~
- Attestazione di versam. sul c/c postale n. 1/11770 intestato all'Ufficio del Registro 1° Off.IGE - Roma di L. 10.500 emessa dall'Ufficio Postale di Milano V.R. in data **14/4/70** n. **37**.
- Attestazione di versamento sul c/c postale n. 1/13984 intestato all'Ufficio Centrale Brevetti - Roma di L. 400 emessa dall'Ufficio Postale di Milano V.R. in data **14/4/70** n. **38**.

La domanda, le descrizioni ed i disegni sopraelencati sono stati firmati dal richiedente e da me controfirmati e bollati col timbro d'ufficio.

Il Depositante

Calciati

Per copia conforme all'originale



L'UFFICIALE ROGANTE
Pietro Messineo

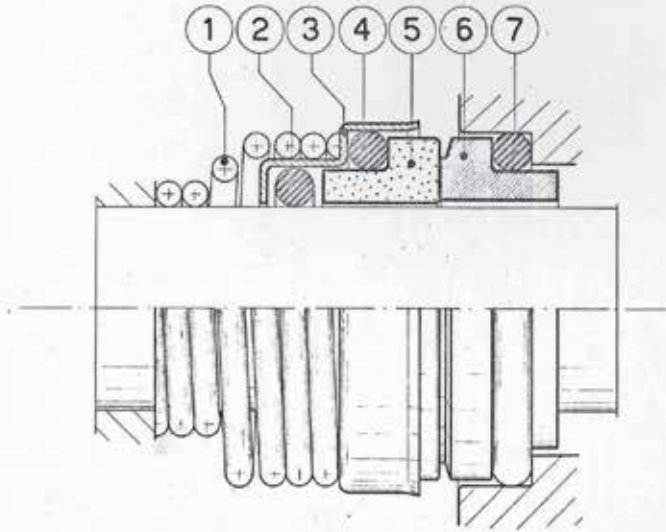
ps il Segretario generale
(G. Carone)

IL CAPO DEL SERVIZIO

[Signature]

1970

23321A/70



[Handwritten signature]

UFFICIO BREVETTI
CALCIATI
[Handwritten signature]

1970



ROTEN
EUROCARBO
AVES
MOLINOX
COEMI

MOLINOX®

Molinox s.r.l. | Industrial Springs



STAINLESS STEEL SPRINGS

Special nickel alloy springs, carbon steel springs for all industrial applications all types and tailored shapes.





MOLINOX

Rozzano - Valleambrosia (Milano, Italy) 1990

Molinox is a company with years of experience in the design and manufacturing of industrial springs.

Each phase of production is performed internally by a highly qualified staff. Molinox specializes in the construction of round-wire springs in polished stainless steel resistant to corrosion and high temperatures.

Molinox springs are used in various industrial sectors: chemical-pharmaceutical, sanitary, food and petrochemical.

Molinox produces all the springs needed for the whole Group.



ROTEN
EUROCARBO
AVES
MOLINOX
COEMI

COEMI[®]

Coemi s.r.l. | Refurbishment of mechanical seals

BEFORE



AFTER

COEMI

Peschiera Borromeo (Milano, Italy) 1986

Coemi has decades of experience in seal repair and reconstruction of mechanical seals. Coemi sells Roten group products.

**“EVERY KIND OF MECHANICALS SEALS
REPAIRED AND REBUILT”**



5

A FAMILY COMPANY

Since 1945, united by one passion: **PERFECTION.**

Overcoming the challenges of innovation and technological changes in the marketplace has brought our Company to achieving an important goal: Group certification.

Passion, experience, and dedication are our values.

Attention to quality and respect for the environment are an integral part of our project.

The ROTEN GROUP team guarantees the excellence and efficiency established by our management in all of the phases of production. To support these principles, the ROTEN GROUP companies have implemented the quality and environmental management system: **ISO 9001: 2015 and ISO 14001: 2015.**



QUALITY

ROTEN GROUP stands as a company in accordance with current and certified standards by the specific sectorial bodies:

UNI EN ISO 9001 Certified Quality System since 1993.

UNI EN ISO 14001 Certified Environment Management System since 2007.



WATER PHARMACEUTICAL CHEMICAL FOOD



On request the Roten Group can provide certificates and declarations of conformity for each type of application. For any information please contact our customer care service or visit our web site.







ROTEN
EUROCARBO
AVES
MOLINOX
COEMI



BARRIER
BUFFER

A

FLUS

10/2000





OUR GROUP IS COMMITTED TO
RESPECTING AND SAFEGUARDING THE ENVIRONMENT.

WE TAKE CARE OF THE PLANET AND
COMPENSATE THE CO2 PLANTING TREES.

PLASTIC FREE.

WE USE ONLY ALTERNATIVE AND RENEWABLE ENERGY.



WE HAVE JOINED OUR SKILLS
TO PROVIDE YOU WITH INNOVATIVE
AND HIGH QUALITY PRODUCTS.

fROTEN® **(e)** eurocarb® **f**AVES® MOLINOX® **COEMI**®





MADE IN ITALY

PROGETTO GRAFICO:

BONURADESIGN | PIAZZA DELLA REPUBBLICA, 26 | 20124 | MILANO (MI)

INFO@BONURADESIGN.IT | BONURADESIGN.IT



ROTEN s.r.l.

Via Ortica, 6 | 20134 | Milano (Italy) | T. +39 02 76110157
F. +39 02 7385445 | info@roten.it | www.roten-seals.com

EUROCARBO s.p.a.

Via S. Scolastica, 35 | 64013 | Corropoli (TE) Italy
T. +39 0861 839020 | F. 0861 839050 | info@eurocarbo.it
www.eurocarbo.it

AVES s.r.l.

Via Sighele, 3 | 20133 | Milano (Italy) | T. +39 02 7381652
F. +39 02 71093106 | info@avestenute.it | www.aves-seals.com

MOLINOX s.r.l.

Via C. Varalli, 1 | Loc. Valleambrosia 20089 | Rozzano (MI)
T. +39 02 89202678 | F. +39 02 57792002 | info@molinox.it
www.molinox.it

COEMI s.r.l.

Via Liguria, 34/19 | 20068 | Peschiera Borromeo (MI)
T. +39 02 55303015 | F. +39 02 55303024 | info@coemi-srl.it
www.coemi-seals.com